

GWK Electronics Ltd

82 Sea Avenue, Rustington, West Sussex BN16 2DL, UK | Tel/Fax: +44 (0)1903 782345
www.gwkelectronics.com | Email: sales@gwkelectronics.com

Series 600

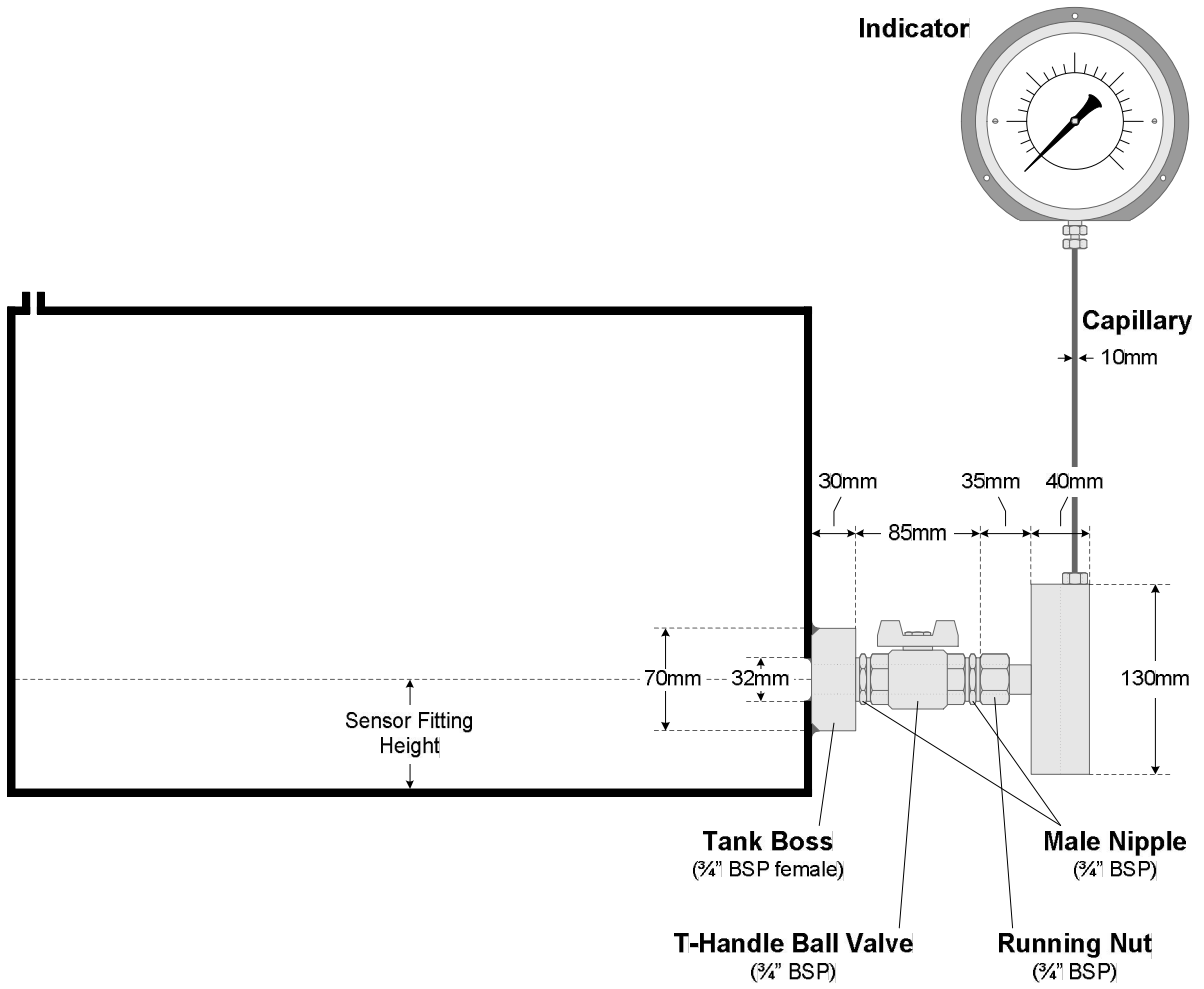
Self Powered Contents Gauges

Schematics

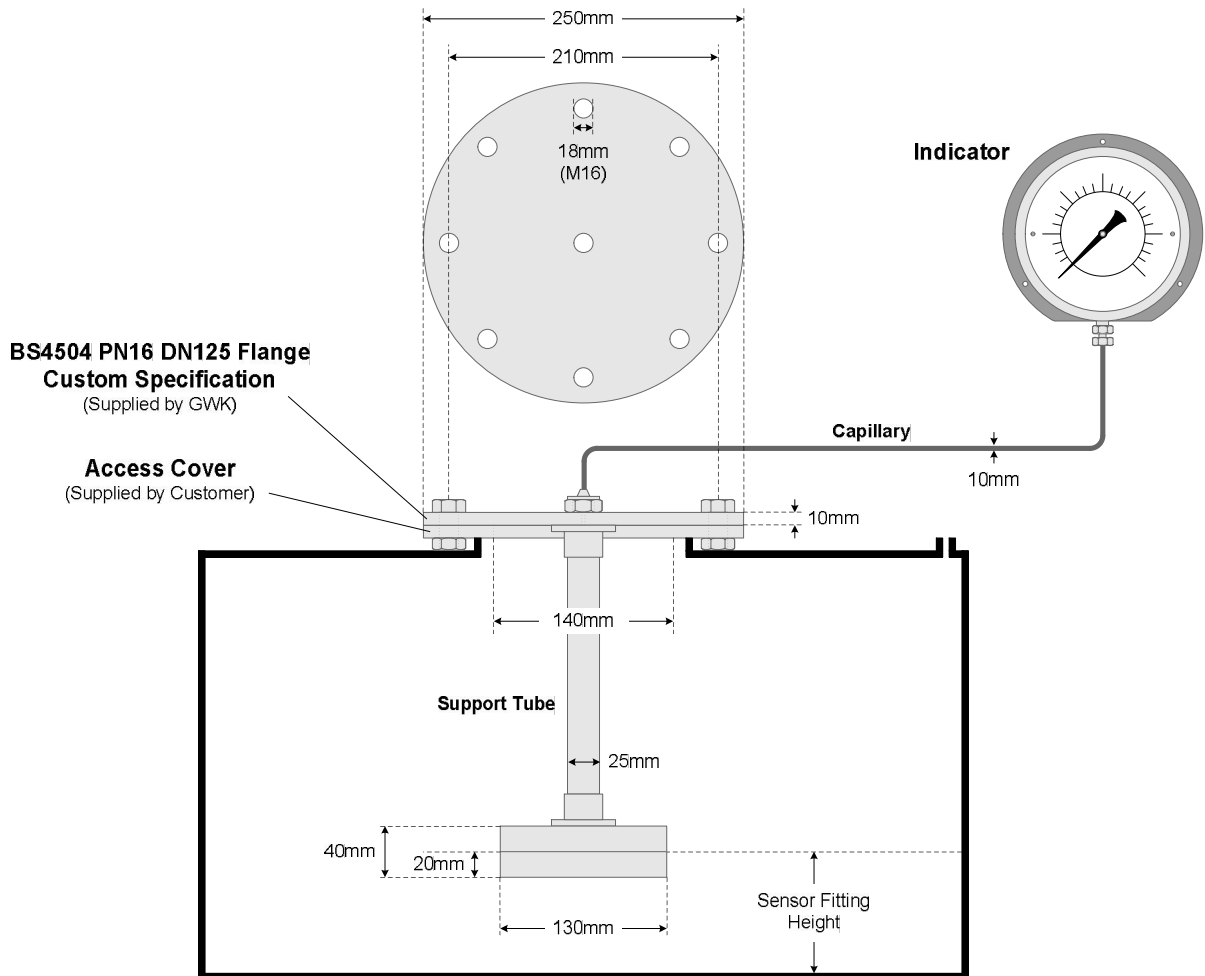
Contents

Section	Content	Page
1	Model 600ES	3
2	Model 600IM	4
3	Model 600IS	5
4	Model 600IST	6
5	Model 600SM	7
6	Model 600ST	8
7	Bulkhead Penetration Fitting	9
8	Indicators - Flush Panel Mounted (100mm, 160mm)	10
9	Indicators - Wall Mounted (100mm, 160mm)	11

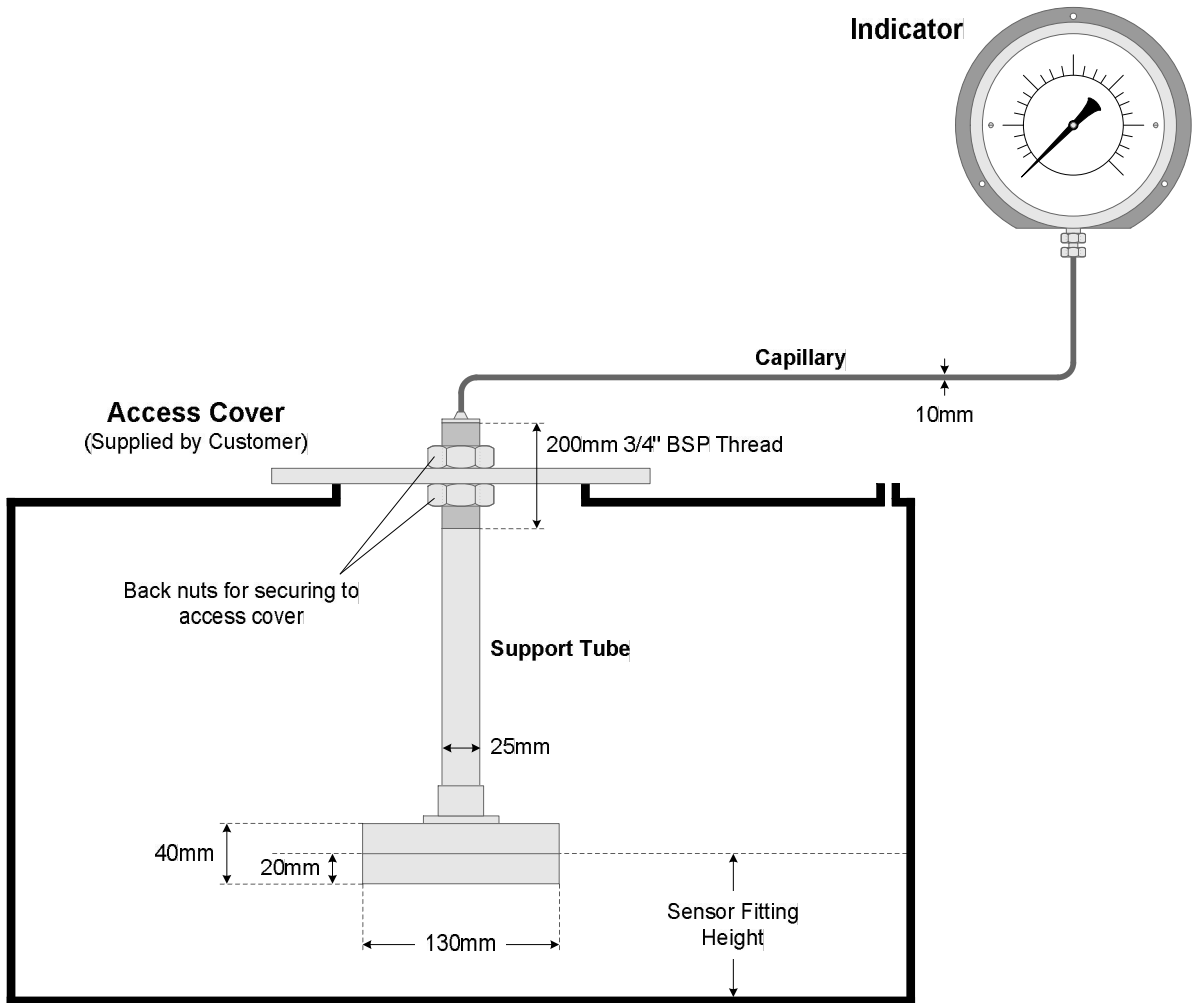
Model 600ES



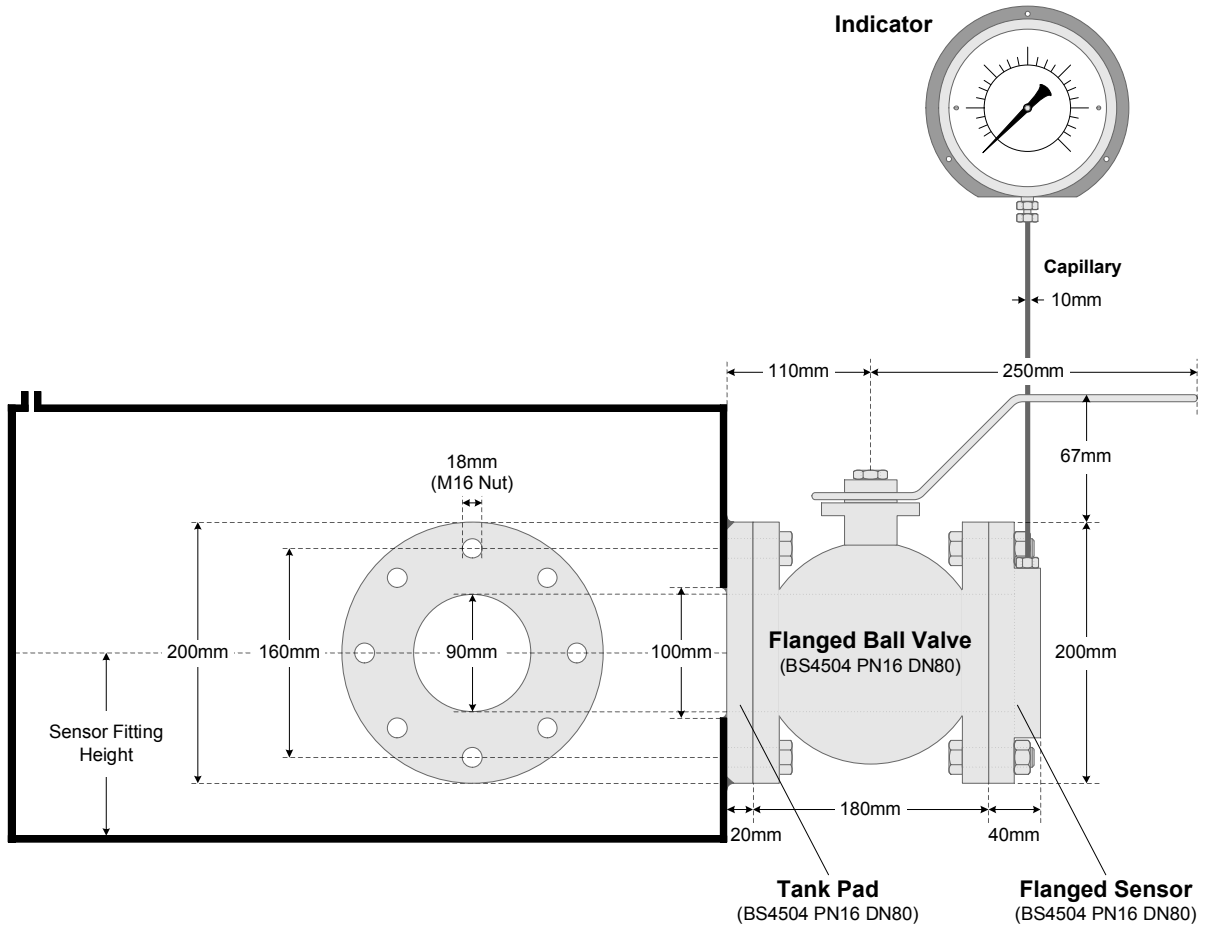
Model 600IS



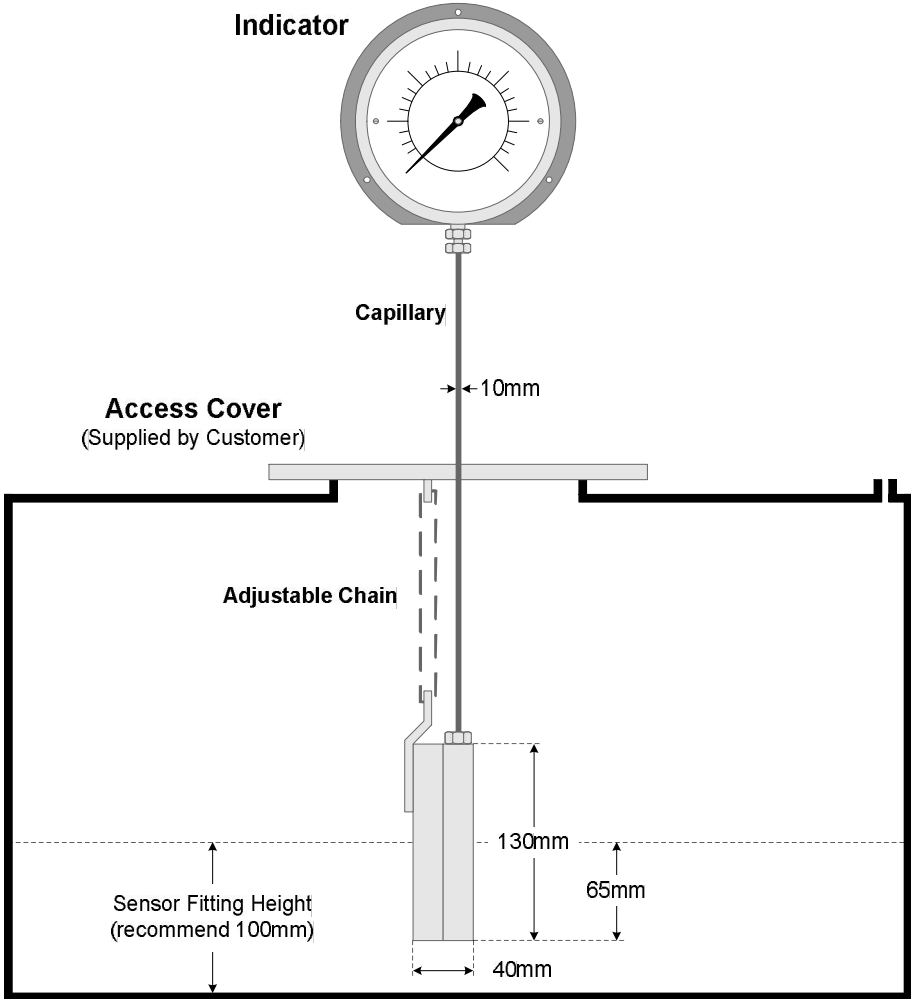
Model 600IST



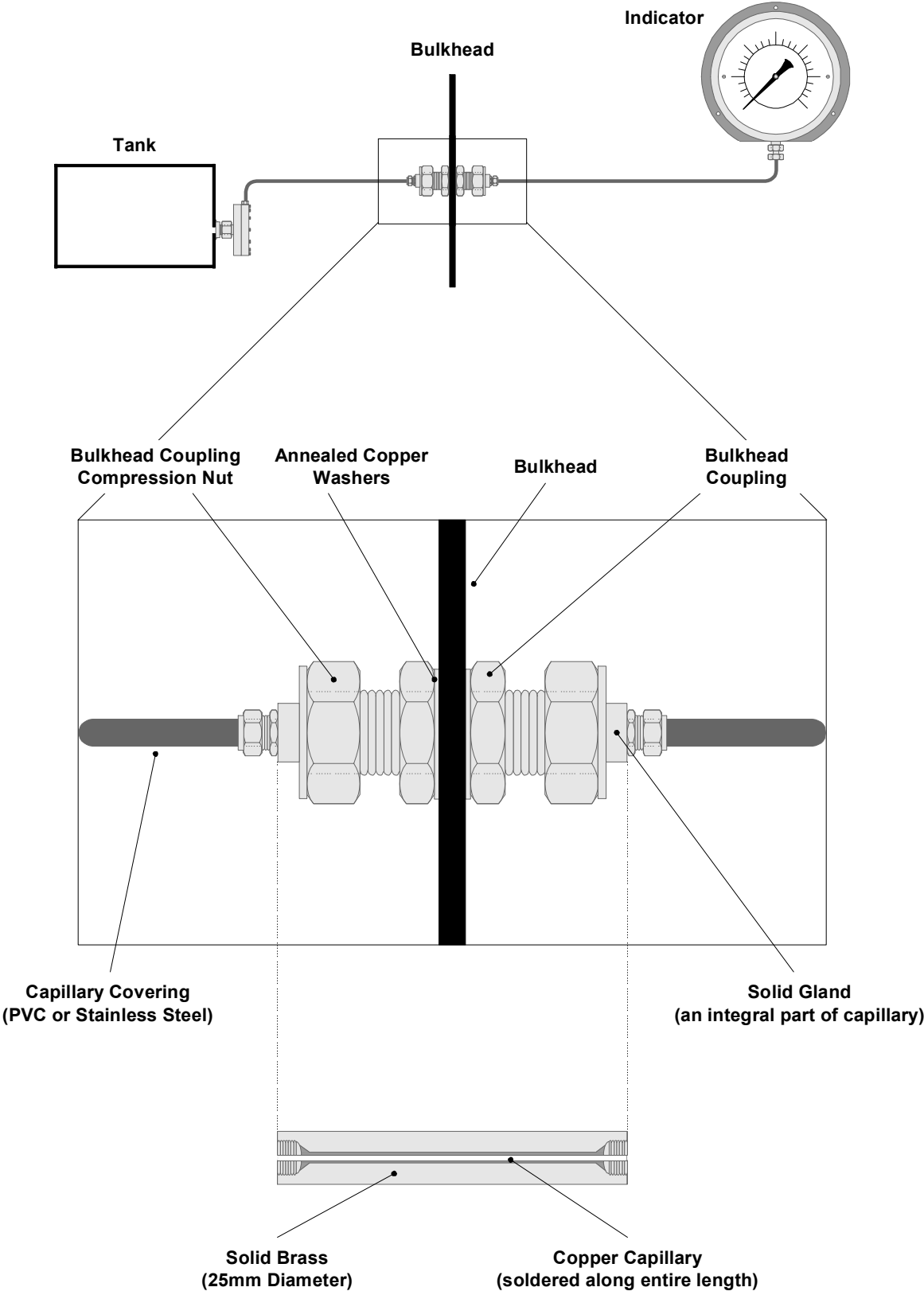
Model 600SM



Model 600ST



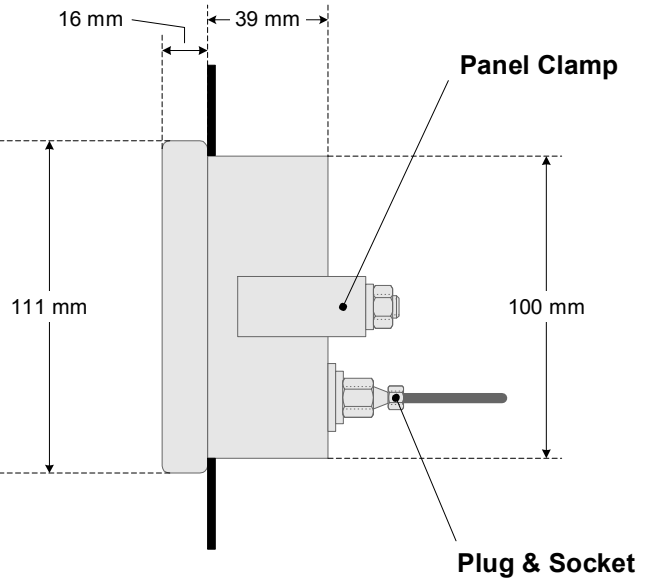
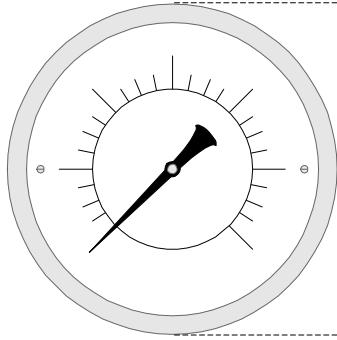
Bulkhead Penetration Fitting



Flush Panel Mounted Indicators

100mm

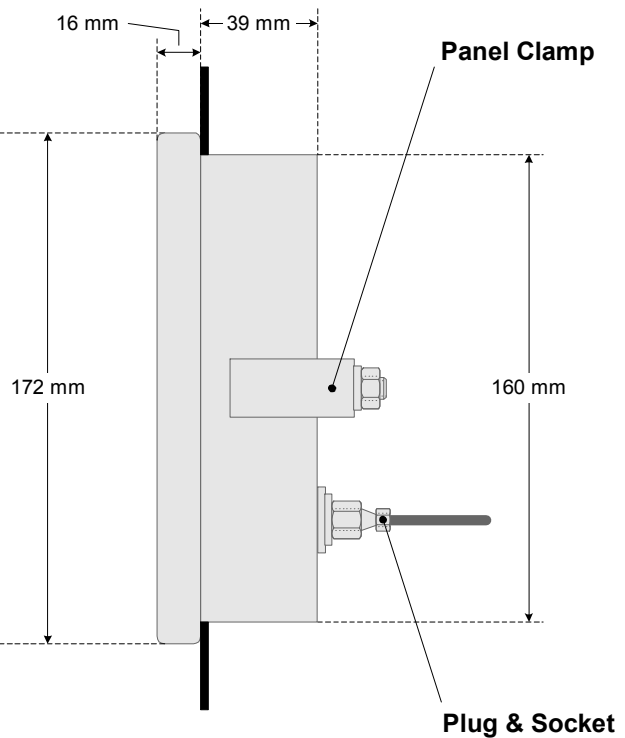
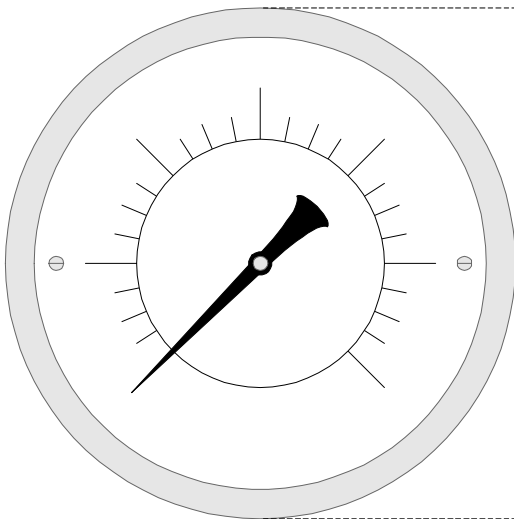
Case Material - Stainless Steel



Length of scale on Indicator = 270°

160mm

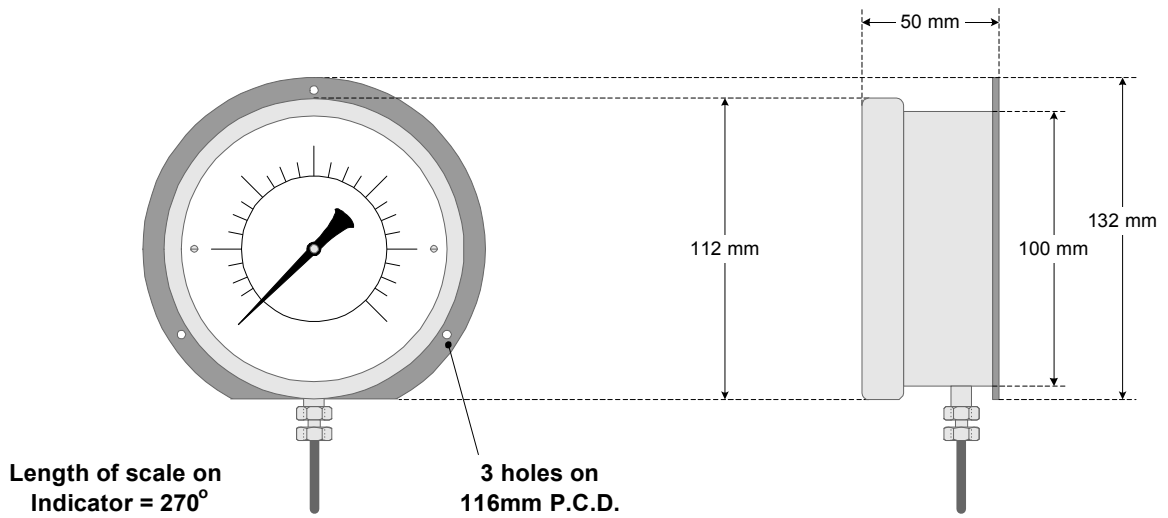
Case Material - Stainless Steel



Length of scale on Indicator = 270°

Wall Mounted Indicators

100mm



160mm

